

## XH78Lxx

### Descriptions

The XH78Lxx series are three terminal positive regulators designed for a wide variety of applications including local, on-card regulation.

This series of regulators are complete with internal current limiting, thermal shutdown protection, and safe-area compensation which make them virtually immune from output overload. If adequate heat sinking are provided, these regulators can deliver output currents up to 100mA.

The XH78Lxx series are available in SOT-89, TO92 packages.

### Features

- Output Current up to 100mA
- Fixed Output Voltages of 05V, 06V,08V,09V,12V and 15V
- Output Voltage Accuracy of  $\pm 5\%$  over the Full Temperature Range
- Internal Short Circuit Current Limiting
- Internal Thermal Overload Protection
- No External Components
- Output Transistor Safe-area Protection
- Lead-Free Packages: SOT-89 , TO92
  - Totally Lead-Free; ROHS Compliant

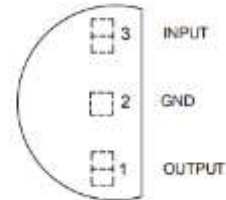
### Applications

- Consumer Electronics
- Microprocessor Power Supply
- Mother Board

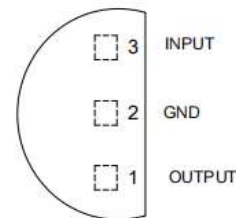
### Pin Assignments

#### Top View

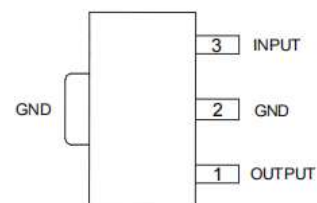
Z Package  
(TO-92(Ammo Packing))



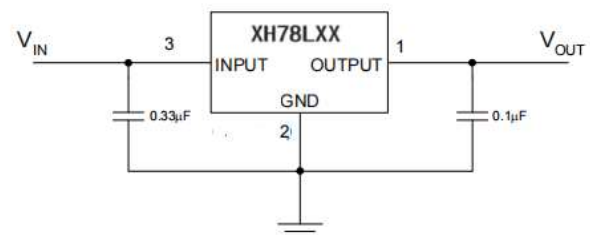
Z Package  
(TO-92(Bulk Packing))



R Package  
(SOT-89 Option 2)



### Typical Applications Circuit



## Absolute Maximum Ratings

Symbol	Parameter	Rating		Unit
V <sub>in</sub>	Input Voltage	36		V
T <sub>j</sub>	Operating Junction Temperature	+150		°C
T <sub>lead</sub>	Lead Temperature (Soldering, 10sec)	+260		°C
TSTG	Storage Temperature Range	-65 to +150		°C
θ <sub>JA</sub>	Thermal Resistance	SOT-89	165	°C/W
θ <sub>JA</sub>	Thermal Resistance	TO-92	180	°C/W
PD	Power Dissipation	0.75		W
ESD	ESD (Human Body Model)	5000		V
ESD	ESD (Charged Device Model)	2000		V

Note 1: Stresses greater than those listed under “Absolute Maximum Ratings” may cause permanent damage to the device. These are stress ratings only, and functional operation of the device at these or any other conditions beyond those indicated under “Recommended Operating Conditions” is not implied. Exposure to “Absolute Maximum Ratings” for extended periods may affect device reliability.

## Recommended Operating Conditions

Symbol	Parameter	Min	Max	Unit	
V <sub>in</sub>	Input Voltage	XH78L05	–	30	V
		XH78L06	–	30	
		XH78L08	–	30	
		XH78L09	–	30	
		XH78L12	–	36	
		XH78L15	–	36	
		XH78L18	–	36	
T <sub>j</sub>	Operating Junction Temperature Range	-40	+125	°C	

## Electrical Characteristics

### XH78L05

(@  $V_{IN} = 10V$ ,  $I_{OUT} = 40mA$ ,  $C_{IN} = 0.33\mu F$ ,  $C_{OUT} = 0.1\mu F$ ,  $T_J = +25^\circ C$ , **Bold** typeface applies over  $-40^\circ C \leq T_J \leq +125^\circ C$ , unless otherwise specified.)

Note2: 0.01 $\mu F$  minimum load capacitance is recommended to limit high frequency noise.

Symbol	Parameter	Conditions	Min	Typ	Max	Unit
$V_{out}$	Output Voltage	–	4.8	5.0	5.2	V
		$7V \leq V_{IN} \leq 20V$ , $1mA \leq I_{OUT} \leq 100mA$ , $PD \leq 0.75W$	<b>4.75</b>	–	<b>5.25</b>	
$V_{Rline}$	Line Regulation	$7V \leq V_{IN} \leq 20V$	–	8	150	mV
$V_{Rload}$	Load Regulation	$1mA \leq I_{OUT} \leq 100mA$	–	10	60	mV
$I_Q$	Quiescent Current	–	–	3	5.5	mA
$\Delta I_Q$	Quiescent Current Change	$8V \leq V_{IN} \leq 20V$	–	–	<b>1.5</b>	mA
		$1mA \leq I_{OUT} \leq 40mA$	–	–	<b>0.1</b>	
PSRR	Ripple Rejection	$f = 120Hz$ , $8V \leq V_{IN} \leq 18V$	47	62	–	dB
$V_{Drop}$	Dropout Voltage	$I_{OUT} = 40mA$	–	1.7	2.0	V
		$I_{OUT} = 100mA$	–	1.8	2.3	
$N_O$	Output Noise Voltage	$10Hz \leq f \leq 100kHz$ (Note 4)	–	40	–	$\mu V$
$\Delta V_{out}/\Delta T$	Output Voltage Temperature Coefficient	$I_{OUT} = 5mA$	–	0.42	–	$mV/^\circ C$
$(\Delta V_{out}/V_{out})/\Delta T$			–	84	–	ppm/ $^\circ C$
$\theta_{Jc}$	Thermal Resistance	SOT-89		28.3		$^\circ C/W$
		TO-92		40		$^\circ C/W$

## XH78L05A

(@  $V_{IN} = 10V$ ,  $I_{OUT} = 40mA$ ,  $C_{IN} = 0.33\mu F$ ,  $C_{OUT} = 0.1\mu F$ ,  $T_J = +25^\circ C$ , **Bold** typeface applies over  $-40^\circ C \leq T_J \leq +125^\circ C$ , unless otherwise specified.)

Symbol	Parameter	Conditions	Min	Typ	Max	Unit
$V_{out}$	Output Voltage	–	5.0	–	5.1	V
		$7V \leq V_{IN} \leq 20V$ , $1mA \leq I_{OUT} \leq 100mA$ , $P_D \leq 0.75W$	<b>4.75</b>	–	<b>5.25</b>	
$V_{Rline}$	Line Regulation	$7V \leq V_{IN} \leq 20V$	–	8	150	mV
$V_{Rload}$	Load Regulation	$1mA \leq I_{OUT} \leq 100mA$	–	10	60	mV
$I_Q$	Quiescent Current	–	–	3	5.5	mA
$\Delta I_Q$	Quiescent Current Change	$8V \leq V_{IN} \leq 20V$	–	–	<b>1.5</b>	mA
		$1mA \leq I_{OUT} \leq 40mA$	–	–	<b>0.1</b>	
PSRR	Ripple Rejection	$F = 120Hz$ , $8V \leq V_{IN} \leq 18V$	47	62	–	dB
$V_{Drop}$	Dropout Voltage	$I_{OUT} = 40mA$	–	1.7	–	V
		$I_{OUT} = 100mA$	–	1.8	–	
$N_O$	Output Noise Voltage	$10Hz \leq f \leq 100kHz$ (Note 4)	–	40	–	$\mu V$
$\Delta V_{out}/\Delta T$	Output Voltage Temperature Coefficient	$I_{OUT} = 5mA$	–	0.42	–	mV/ $^\circ C$
$(\Delta V_{out}/V_{out})/\Delta T$			–	84	–	ppm/ $^\circ C$
$\theta_{Jc}$	Thermal Resistance	SOT-89	–	28.3	–	$^\circ C/W$
		TO-92	–	40	–	$^\circ C/W$

## XH78L06

(@  $V_{IN} = 12V$ ,  $I_{OUT} = 40mA$ ,  $C_{IN} = 0.33\mu F$ ,  $C_{OUT} = 0.1\mu F$ ,  $T_J = +25^\circ C$ , **Bold** typeface applies over  $-40^\circ C \leq T_J \leq +125^\circ C$ , unless otherwise specified. )

Symbol	Parameter	Conditions	Min	Typ	Max	Unit
$V_{out}$	Output Voltage	-	5.76	6.0	6.24	V
		$8V \leq V_{IN} \leq 20V$ , $1mA \leq I_{OUT} \leq 100mA$ , $P_D \leq 0.75W$	<b>5.7</b>	-	<b>6.3</b>	
$V_{Rline}$	Line Regulation	$8V \leq V_{IN} \leq 20V$	-	10	160	mV
$V_{Rload}$	Load Regulation	$1mA \leq I_{OUT} \leq 100mA$	-	10	60	mV
$I_Q$	Quiescent Current	-	-	3	6	mA
$\Delta I_Q$	Quiescent Current Change	$9V \leq V_{IN} \leq 20V$	-	-	<b>1.5</b>	mA
		$1mA \leq I_{OUT} \leq 40mA$	-	-	<b>0.1</b>	
PSRR	Ripple Rejection	$f = 120Hz$ , $8V \leq V_{IN} \leq 18V$	45	56	-	dB
$V_{Drop}$	Dropout Voltage	$I_{OUT} = 40mA$	-	1.7	2.0	V
		$I_{OUT} = 100mA$	-	1.8	2.3	
$N_O$	Output Noise Voltage	$10Hz \leq f \leq 100kHz$ (Note 4)	-	40	-	$\mu V$
$\Delta V_{out}/\Delta T$	Output Voltage Temperature Coefficient	$I_{OUT} = 5mA$	-	0.5	-	mV/ $^\circ C$
$(\Delta V_{out}/V_{out})/\Delta T$			-	84	-	ppm/ $^\circ C$
$\theta_{JC}$	Thermal Resistance	SOT-89		28.3		$^\circ C/W$
		TO-92		40		$^\circ C/W$

## XH78L08

(@  $V_{IN} = 14V$ ,  $I_{OUT} = 40mA$ ,  $C_{IN} = 0.33\mu F$ ,  $C_{OUT} = 0.1\mu F$ ,  $T_J = +25^\circ C$ , **Bold** typeface applies over  $-40^\circ C \leq T_J \leq +125^\circ C$ , unless otherwise specified.)

Symbol	Parameter	Conditions	Min	Typ	Max	Unit
$V_{out}$	Output Voltage	-	7.7	8.0	8.3	V
		$10V \leq V_{IN} \leq 23V$ , $1mA \leq I_{OUT} \leq 100mA$ , $P_D \leq 0.75W$	<b>7.6</b>	-	<b>8.4</b>	
$V_{Rline}$	Line Regulation	$10V \leq V_{IN} \leq 23V$	-	13	180	mV
$V_{Rload}$	Load Regulation	$1mA \leq I_{OUT} \leq 100mA$	-	14	70	mV
$I_Q$	Quiescent Current	-	-	3	6	mA
$\Delta I_Q$	Quiescent Current Change	$11V \leq V_{IN} \leq 23V$	-	-	<b>1.5</b>	mA
		$1mA \leq I_{OUT} \leq 40mA$	-	-	<b>0.1</b>	
PSRR	Ripple Rejection	$f = 120Hz$ , $10V \leq V_{IN} \leq 21V$	43	50	-	dB
$V_{Drop}$	Dropout Voltage	$I_{OUT} = 40mA$	-	1.7	-	V
		$I_{OUT} = 100mA$	-	1.8	-	
$N_O$	Output Noise Voltage	$10Hz \leq f \leq 100kHz$ (Note 4)	-	50	-	$\mu V$
$\Delta V_{out}/\Delta T$	Output Voltage Temperature Coefficient	$I_{OUT} = 5mA$	-	0.6	-	$mV/^\circ C$
$(\Delta V_{out}/V_{out})/\Delta T$			-	84	-	ppm/ $^\circ C$
$\theta_{Jc}$	Thermal Resistance	SOT-89	-	28.3	-	$^\circ C/W$
		TO-92	-	40	-	$^\circ C/W$

## XH78L09

(@  $V_{IN} = 15V$ ,  $I_{OUT} = 40mA$ ,  $C_{IN} = 0.33\mu F$ ,  $C_{OUT} = 0.1\mu F$ ,  $T_J = +25^\circ C$ , **Bold** typeface applies over  $-40^\circ C \leq T_J \leq +125^\circ C$ , unless otherwise specified.)

Symbol	Parameter	Conditions	Min	Typ	Max	Unit
$V_{out}$	Output Voltage	-	8.64	9.0	9.36	V
		$11V \leq V_{IN} \leq 23V$ , $1mA \leq I_{OUT} \leq 100mA$ , $PD \leq 0.75W$	<b>8.55</b>	-	<b>9.45</b>	
$V_{Rline}$	Line Regulation	$11V \leq V_{IN} \leq 23V$	-	15	200	mV
$V_{Rload}$	Load Regulation	$1mA \leq I_{OUT} \leq 100mA$	-	15	80	mV
$I_Q$	Quiescent Current	-	-	3	6	mA
$\Delta I_Q$	Quiescent Current Change	$12V \leq V_{IN} \leq 23V$	-	-	<b>1.5</b>	mA
		$1mA \leq I_{OUT} \leq 40mA$	-	-	<b>0.1</b>	
PSRR	Ripple Rejection	$f = 120Hz$ , $10V \leq V_{IN} \leq 21V$	41	48	-	dB
$V_{Drop}$	Dropout Voltage	$I_{OUT} = 40mA$	-	1.7	-	V
		$I_{OUT} = 100mA$	-	1.8	-	
$N_O$	Output Noise Voltage	$10Hz \leq f \leq 100kHz$ (Note 4)	-	60	-	$\mu V$
$\Delta V_{out}/\Delta T$	Output Voltage Temperature Coefficient	$I_{OUT} = 5mA$	-	0.8	-	$mV/^\circ C$
$(\Delta V_{out}/V_{out})/\Delta T$			-	84	-	$ppm/^\circ C$
$\theta_{Jc}$	Thermal Resistance	SOT-89		28.3		$^\circ C/W$
		TO-92		40		$^\circ C/W$

## XH78L12

(@  $V_{IN} = 19V$ ,  $I_{OUT} = 40mA$ ,  $C_{IN} = 0.33\mu F$ ,  $C_{OUT} = 0.1\mu F$ ,  $T_J = +25^\circ C$ , **Bold** typeface applies over  $-40^\circ C \leq T_J \leq +125^\circ C$ , unless otherwise specified.)

Symbol	Parameter	Conditions	Min	Typ	Max	Unit
$V_{out}$	Output Voltage	-	11.5	12.0	12.5	V
		$14.5V \leq V_{IN} \leq 27V$ , $1mA \leq I_{OUT} \leq 100mA$ , $P_D \leq 0.75W$	<b>11.4</b>	-	<b>12.6</b>	
$V_{Rline}$	Line Regulation	$14.5V \leq V_{IN} \leq 27V$	-	20	250	mV
$V_{Rload}$	Load Regulation	$1mA \leq I_{OUT} \leq 100mA$	-	20	100	mV
$I_Q$	Quiescent Current	-	-	3	6	mA
$\Delta I_Q$	Quiescent Current Change	$16V \leq V_{IN} \leq 27V$	-	-	<b>1.5</b>	mA
		$1mA \leq I_{OUT} \leq 40mA$	-	-	<b>0.1</b>	
PSRR	Ripple Rejection	$f = 120Hz$ , $15V \leq V_{IN} \leq 25V$	37	42	-	dB
$V_{Drop}$	Dropout Voltage	$I_{OUT} = 40mA$	-	1.7	-	V
		$I_{OUT} = 100mA$	-	1.8	-	
$N_O$	Output Noise Voltage	$10Hz \leq f \leq 100kHz$ (Note 4)	-	80	-	$\mu V$
$\Delta V_{out}/\Delta T$	Output Voltage Temperature Coefficient	$I_{OUT} = 5mA$	-	1	-	mV/ $^\circ C$
$(\Delta V_{out}/V_{out})/\Delta T$			-	84	-	ppm/ $^\circ C$
$\theta_{Jc}$	Thermal Resistance	SOT-89		28.3		$^\circ C/W$
		TO-92		40		$^\circ C/W$



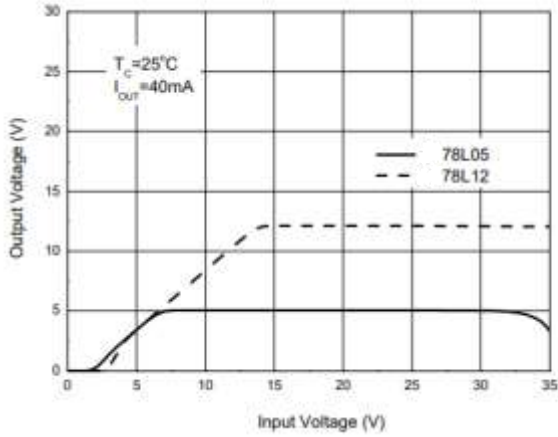
## XH78L15

(@  $V_{IN} = 23V$ ,  $I_{OUT} = 40mA$ ,  $C_{IN} = 0.33\mu F$ ,  $C_{OUT} = 0.1\mu F$ ,  $T_J = +25^\circ C$ , **Bold** typeface applies over  $-40^\circ C \leq T_J \leq +125^\circ C$ , unless otherwise specified.)

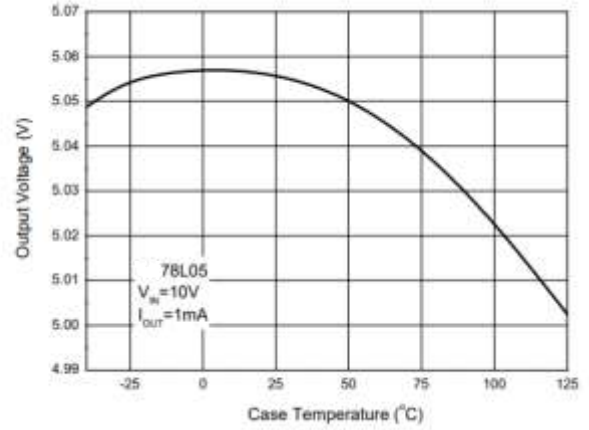
Symbol	Parameter	Conditions	Min	Typ	Max	Unit
$V_{out}$	Output Voltage	-	14.4	15.0	15.6	V
		$17.5V \leq V_{IN} \leq 30V$ , $1mA \leq I_{OUT} \leq 100mA$ , $PD \leq 0.75W$	<b>14.25</b>	-	<b>15.75</b>	
$V_{Rline}$	Line Regulation	$17.5V \leq V_{IN} \leq 30V$	-	25	250	mV
$V_{Rload}$	Load Regulation	$1mA \leq I_{OUT} \leq 100mA$	-	25	150	mV
$I_Q$	Quiescent Current	-	-	3	6	mA
$\Delta I_Q$	Quiescent Current Change	$20V \leq V_{IN} \leq 30V$	-	-	<b>1.5</b>	mA
		$1mA \leq I_{OUT} \leq 40mA$	-	-	<b>0.1</b>	
PSRR	Ripple Rejection	$f = 120Hz$ , $18.5V \leq V_{IN} \leq 28.5V$	34	39	-	dB
$V_{Drop}$	Dropout Voltage	$I_{OUT} = 40mA$	-	1.7	-	V
		$I_{OUT} = 100mA$	-	1.8	-	
$N_o$	Output Noise Voltage	$10Hz \leq f \leq 100kHz$ (Note 4)	-	90	-	$\mu V$
$\Delta V_{out}/\Delta T$	Output Voltage Temperature Coefficient	$I_{OUT} = 5mA$	-	1.25	-	$mV/^\circ C$
$(\Delta V_{out}/V_{out})/\Delta T$			-	84	-	ppm/ $^\circ C$
$\theta_{JC}$	Thermal Resistance	SOT-89	-	28.3	-	$^\circ C/W$
		TO-92	-	40	-	$^\circ C/W$

Performance Characteristics

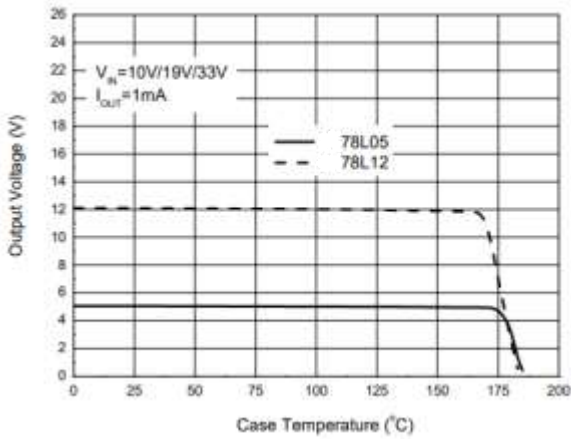
Output Voltage vs. Input Voltage



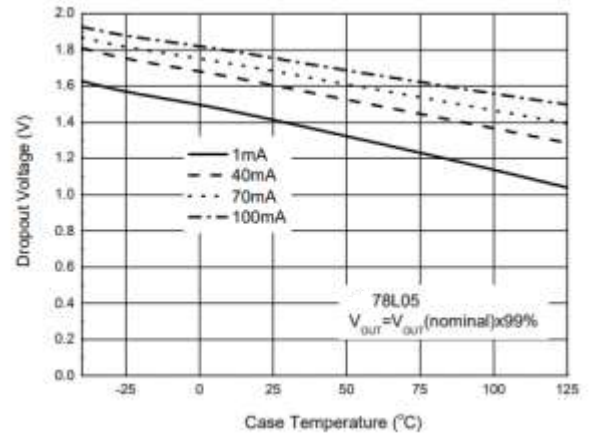
Output Voltage vs. Case Temperature



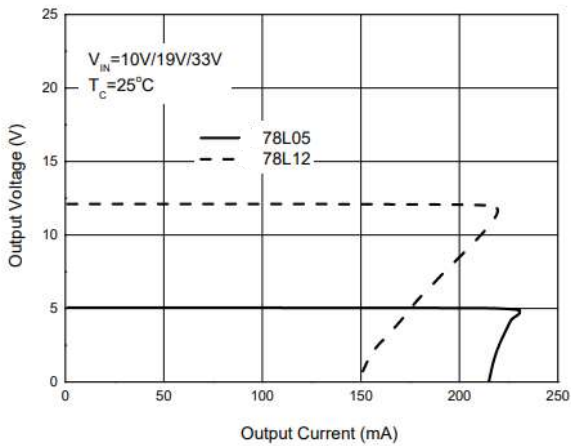
Over Temperature Protection



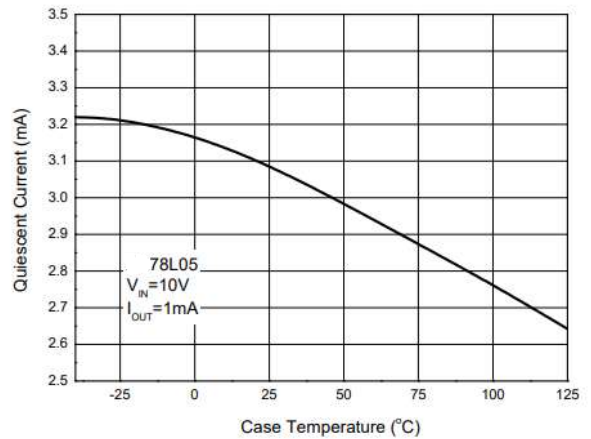
Dropout Voltage vs. Case Temperature



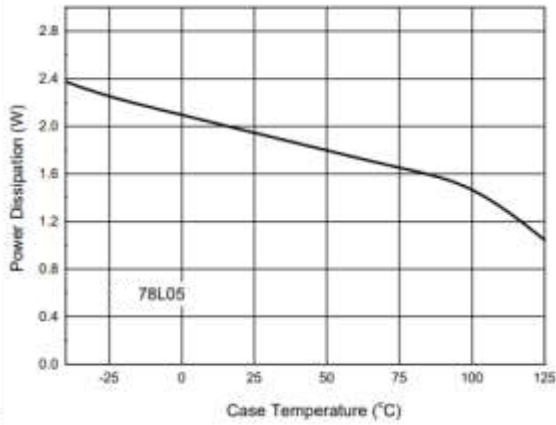
Output Voltage vs. Output Current



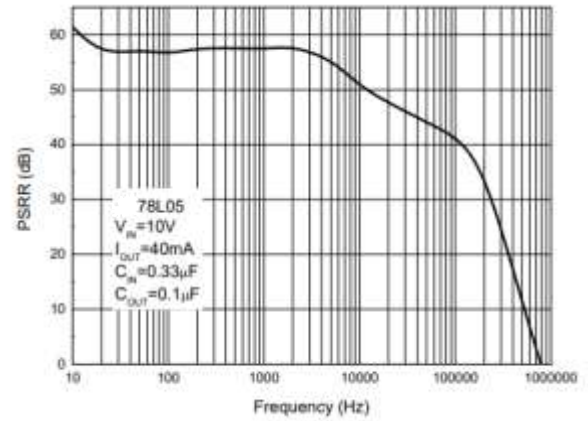
Quiescent Current vs. Case Temperature



Power Dissipation vs. Case Temperature

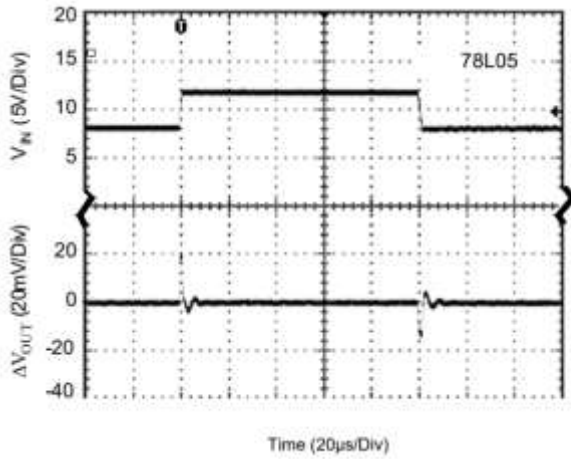


PSRR vs. Frequency



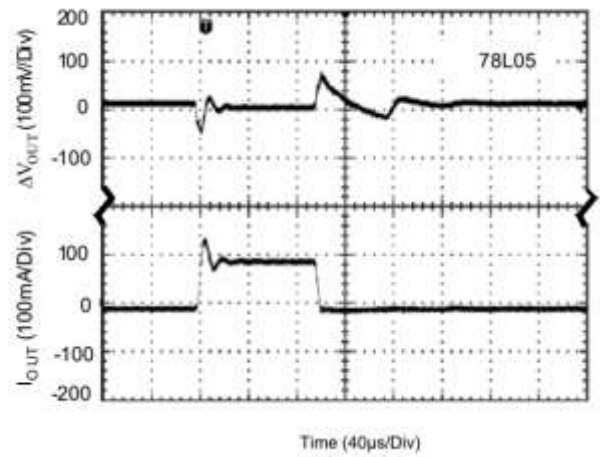
Line Transient

(Conditions:  $I_{OUT} = 40mA$ ,  $C_{IN} = 0.33\mu F$ ,  $C_{OUT} = 0.1\mu F$ )



Load Transient

(Conditions:  $V_{IN} = 10V$ ,  $C_{IN} = 0.33\mu F$ ,  $C_{OUT} = 0.1\mu F$ )



## Ordering Information

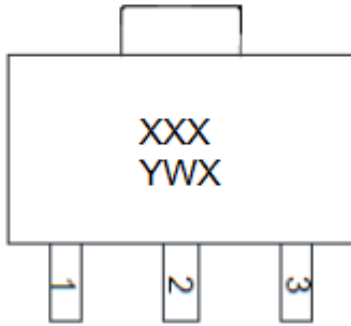
Package	Temperature Range	Part Number	Marking ID	Packing
		Green	Green	
SOT-89	-40 to 125°C	XH78L05RTR-G1	RLE	1000/Tape & Reel
		XH78L05ARTR-G1	RLA	1000/Tape & Reel
		XH78L06RTR-G1	RLO	1000/Tape & Reel
		XH78L08RTR-G1	RLP	1000/Tape & Reel
		XH78L09RTR-G1	RLQ	1000/Tape & Reel
		XH78L12RTR-G1	RLF	1000/Tape & Reel
		XH78L15RTR-G1	RLG	1000/Tape & Reel
TO-92	-40 to 125°C	XH78L05ZTR-G1	78L05Z-G1	2000/Tape & Reel
		XH78L05Z-G1	78L05Z-G1	Bulk
		XH78L05AZTR-G1	78L05AZ-G1	2000/Tape & Reel
		XH78L05AZ-G1	78L05AZ-G1	Bulk
		XH78L06ZTR-G1	78L06Z-G1	2000/Tape & Reel
		XH78L06Z-G1	78L06Z-G1	Bulk
		XH78L08ZTR-G1	78L08Z-G1	2000/Tape & Reel
		XH78L08Z-G1	78L08Z-G1	Bulk
		XH78L09ZTR-G1	78L09Z-G1	2000/Tape & Reel
		XH78L09Z-G1	78L09Z-G1	Bulk
		XH78L12ZTR-G1	78L12Z-G1	2000/Tape & Reel
		XH78L12Z-G1	78L12Z-G1	Bulk
		XH78L15ZTR-G1	78L15Z-G1	2000/Tape & Reel
		XH78L15Z-G1	78L15Z-G1	Bulk

## Marking Information

(1) SOT-89

(Top View)

(for XH78L05ATR-G1、XH78L05RTR-G1、  
XH78L12RTR-G1、XH78L15RTR-G1)



(See Ordering Information)

Frist Line: Mark ID

Second line: Date Code

Y: Year

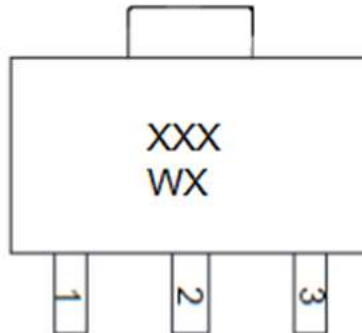
W: Work Week of Molding

X: Internal Code

(2) SOT-89

(Top View)

( for XH78L06RTR-G1 、  
XH78L08RTR-G1、XH78L09RTR-G1)



(See Ordering Information)

Frist Line: Mark ID

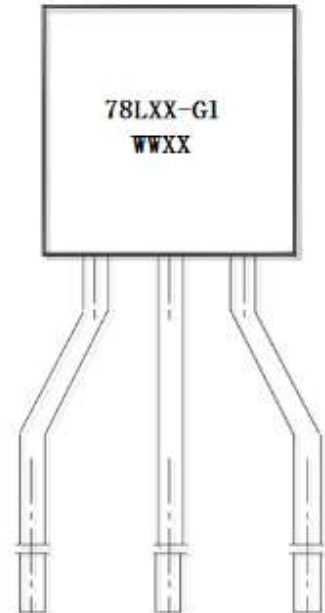
Second line: Date Code

W: Work Week of Molding

X: Internal Code

(3) TO-92

(Top View)



(See Ordering Information)

Frist Line: Mark ID

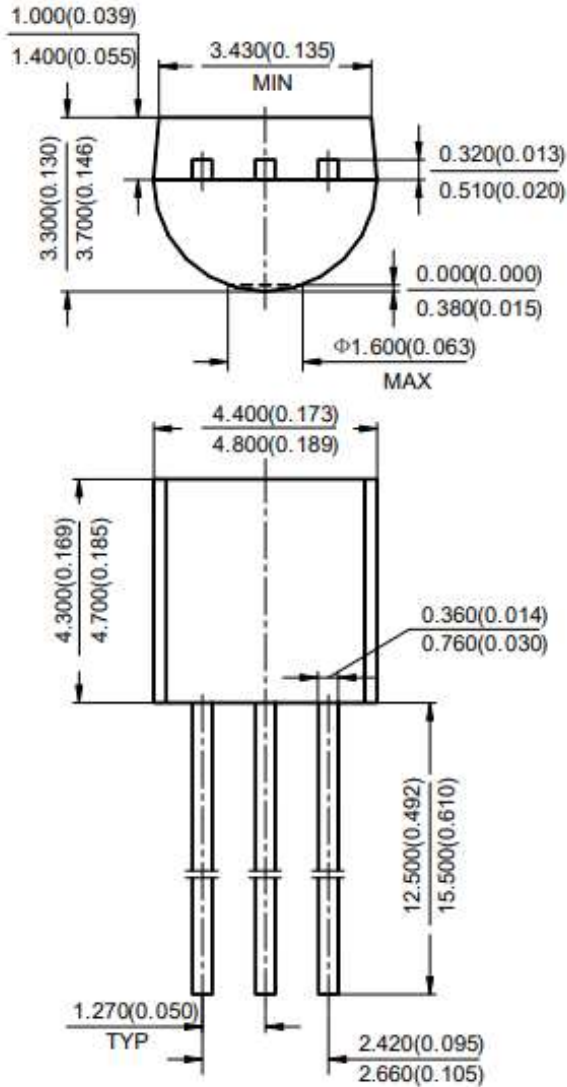
Second line : Date Code

WW: Work Week of Molding

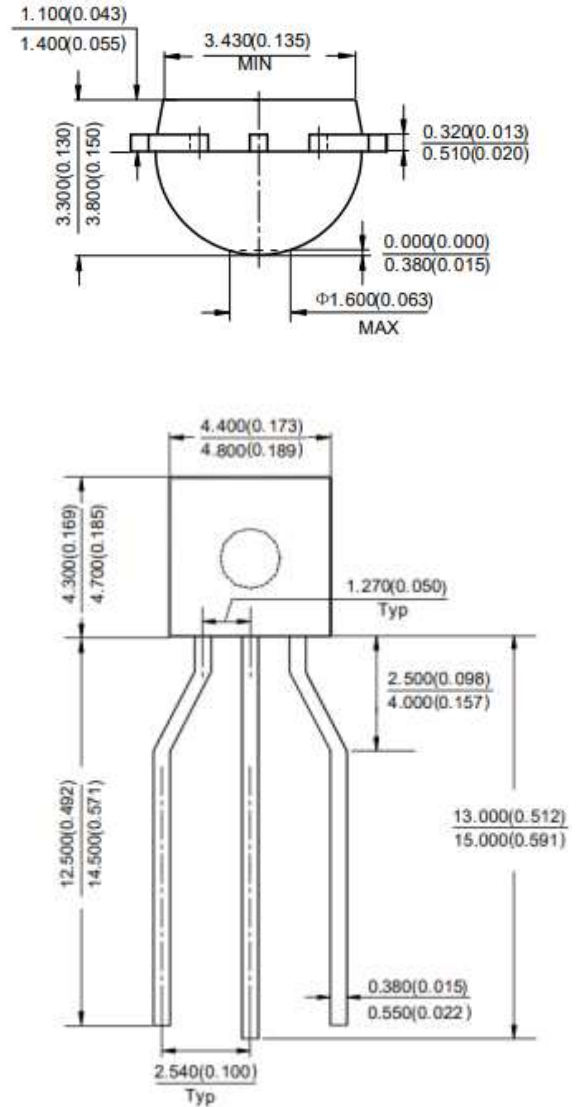
XX: Internal Code

Package Outline Dimensions

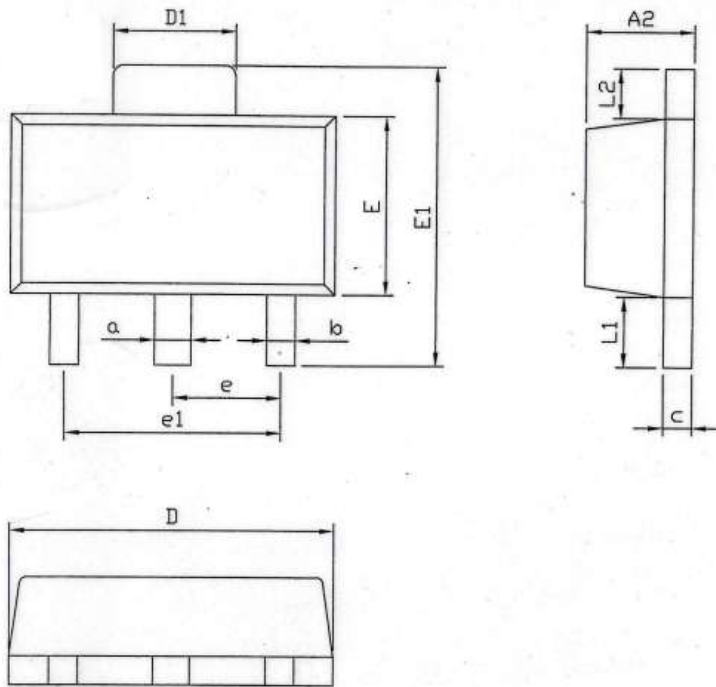
(1) Package Type:TO-92 (Bulk Packing)



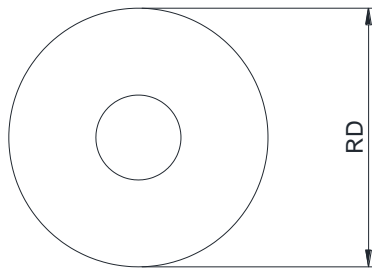
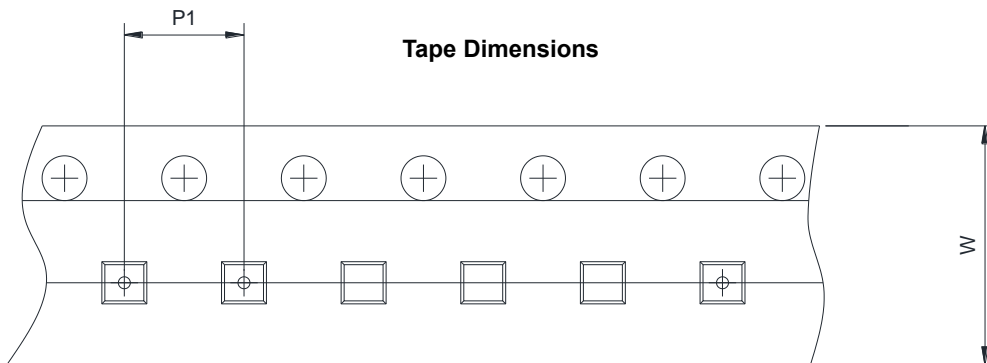
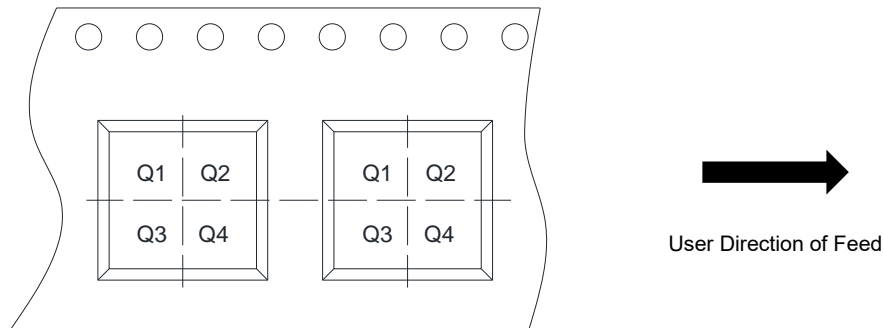
(2) Package Type:TO-92 ( Ammo Packing)



(3) Package Type: SOT-89



Symbol	Dimensions In Millimeters	
	Min	Max
A2	1.40	1.60
* a	0.45	0.55
b	0.38	0.47
c	0.36	0.46
* D	4.40	4.60
D1	1.60	1.80
E	2.40	2.60
* E1	4.00	4.30
e	1.00	2.00
* e1	2.95	3.05
* L1	0.80	1.00
* L2	0.65	0.75

**Tape and Reel Information**
**Reel Dimensions**

**Tape Dimensions**

**Quadrant Assignments for Pin1 Orientation in Tape**


Project		SOT-89	TO-92
RD	Reel Dimension	7inch	仅纸带
W	Overall Width of the Carrier Tape	12mm	18mm
P1	Pitch between Successive Cavity Centers	8mm	12.7mm
Pin1	Pin1 Quadrant	Q3	Q1